

- o Flat Cable Connectors SEK
- o *har-mik®*
- o D-Sub
- o InduCom

Applications



Product details

09 33 024 2716

Female insert, Han 24 ES

Series	Han E®, Han® ES/ESS, Han E® AV, Han® ES AV
Number of contacts	24 poles + PE
Size of hood/ housing	Han® 24 B
Termination	Cage clamp
Insert material	Standard material
Contacts	Inclusive
Electrical data	16 A 500 V 6 kV 3
RoHS compliant	Yes

Available Downloads

Title	Format	
Data sheet	PDF	↓ download
CAD data 2D	DXF	↓ download
CAD data 3D	IGES	↓ download
CAD data 3D	STEP	↓ download

Inquiry

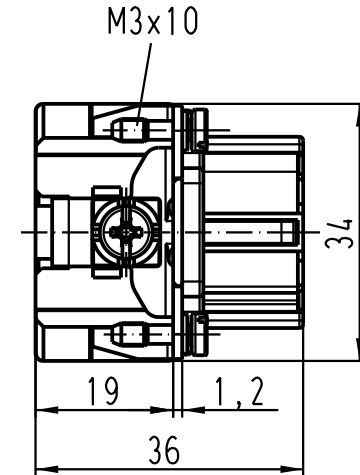
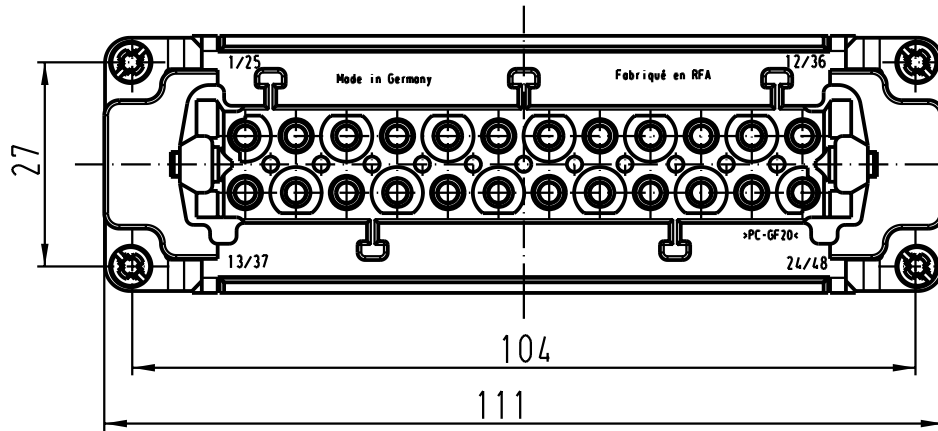
5

4

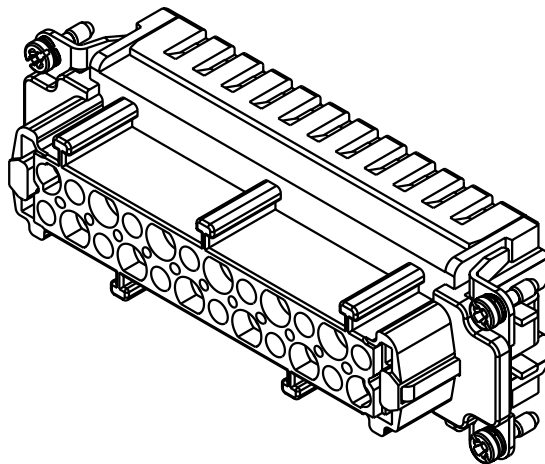
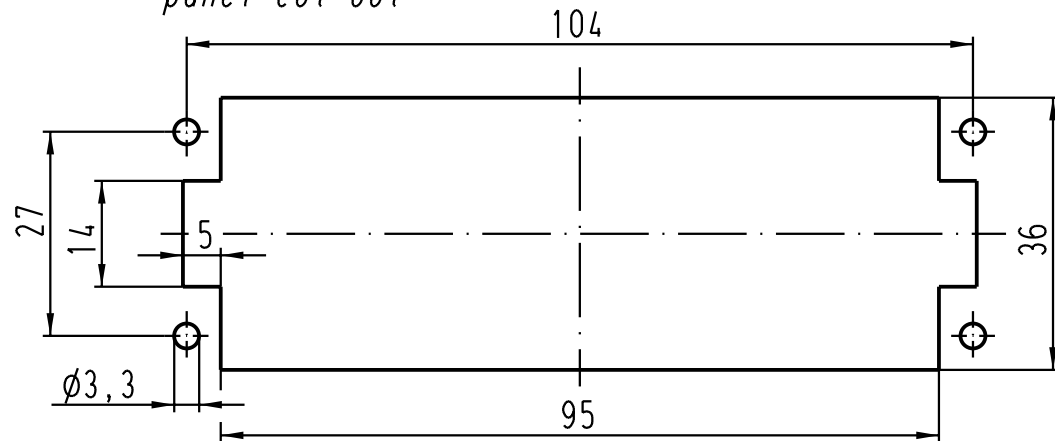
3



2

1



Montageausschnitt /
panel cut out



 All Dimensions in mm Original Size DIN A 4			Techn. Character.			Nicht tolerierte Masse / Free size tolerances			
				Dat.	Name	Maßstab / Scale			
				Detail.	16.03.00	ROH.	1 : 1		
				Insp.		SDT			
				Stand.					
410694	19.09.03	Ho	HARTING Electric GmbH & Co. KG			 TB 09 33 024 2716			
27341			D-32339 Espelkamp						Blatt / page Sub. TB 09 33 0.. 2716 v. 15.10.92
Mod.	Dat.	Name							